

## STADIA SPRING LOADED BASKETBALL GOAL

The Stadia BBSG-3500I Spring Loaded “Posilock” goal is highly engineered, and fully complies with FIBA international rules which state that the “...mechanism must not disengage until a static load of 82kg minimum and 105kg maximum has been applied vertically to the top of the ring at the most distant point from the backboard. When the pressure release mechanism is released, the front or the side of the ring shall rotate no more than 30° and no less than 10° below the original horizontal position”.

While many goals have springs, very few have Posilock performance and do not comply to the rules.

- Compliance with spring release requirements.
- Tube tie net attachment lowers risk of hand injury.
- International hole spacing for direct mount.

This goal is standard on the Stadia range FIBA certified Indoor Basketball structures, and an option for the Essentials systems.

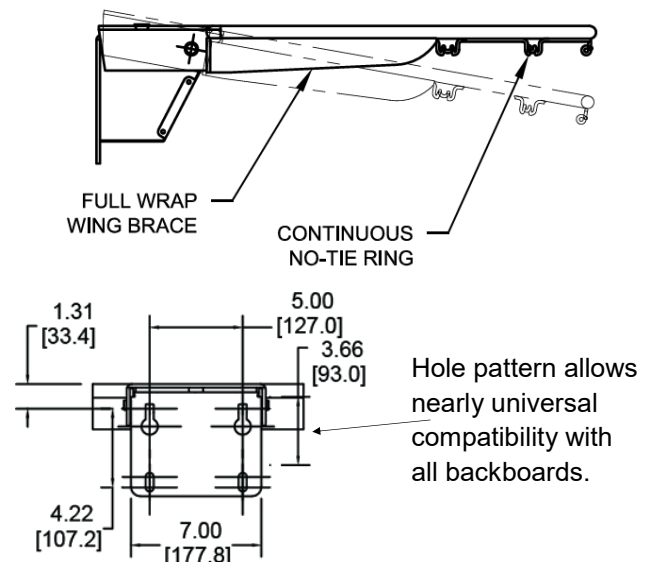
### Architectural Specification:

The goals shall be constructed with an enclosed positive lock mechanism. Systems without a positive lock design shall not be permitted. The goal shall be designed so that any possible entrapment areas have been eliminated. Goal shall have an official FIBA size ring made of 19mm steel tube with tubular net tie attachment and durable orange powder coated finish. Welded net hooks shall not be permitted for safety reasons. Anti whip net and hardware shall be included. The goal shall meet FIBA specifications for International competition.



### Positive Lock Mechanism

with **Dual Return Springs** complies with rim elasticity rules and meets international and FIBA specifications.



**System:** Basketball  
**Product Code:** BBSG-3500I  
**Related Products:** BBSG-4000 BBSG1000  
 BBSTR BBSTW BBESR



**CONTACT US TODAY FOR ADDITIONAL INFORMATION**

[www.hitechsports.com.au](http://www.hitechsports.com.au)  
[info@hitechsports.com.au](mailto:info@hitechsports.com.au)  
 PO Box 38 Wilston Qld 4051  
 1300 500 314 07 3168 2978