

ESSENTIALS BBG240 BASKETBALL GOAL

Our standard institutional goal is designed to provide good performance and durability on Essentials range products.

Featuring welded dual solid steel rim, the unit comes with continuous wrap tie net hooks, (dangerous segmented ties are not used) and dual bracing for additional strength.

Architectural Specification

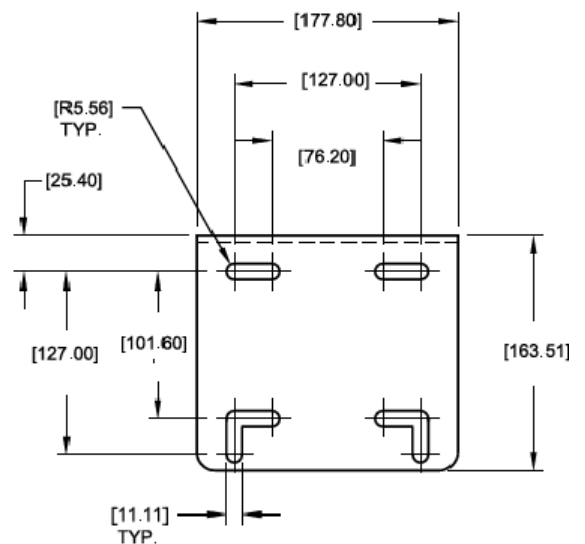
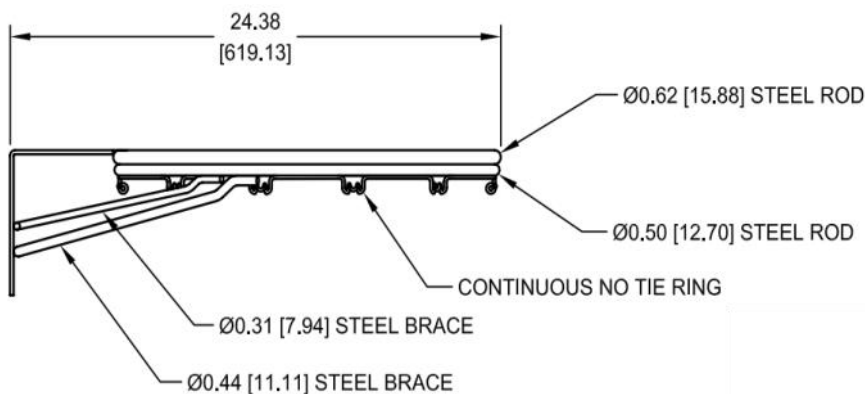
The goal shall be constructed with dual solid high strength steel rod, with official sized 450mm ring and twelve continuous no-tie net attachments.

Segmented hooks will not be accepted.

The back plate shall be 5mm thick with 4 bolt connection to structure.

The dual wing brace shall be 8mm and 11mm diameter solid steel all welded construction.

Goal shall have a durable orange powder coated finish and come complete with nylon net and hardware.



System: Basketball
Product Code: BBG240
Related Products: BBG2 BBESR BBESW



CONTACT US TODAY FOR ADDITIONAL INFORMATION

www.hitechsports.com.au
info@hitechsports.com.au
PO Box 38 Wilston Qld 4051
1300 500 314 07 3168 2978