

ESSENTIALS BASKETBALL GOAL

The standard institutional goal is designed to provide good performance and durability on Essentials range products.

Featuring a solid steel rim, the unit comes with continuous wrap tie net hooks, (dangerous segmented ties are not used) and dual bracing for additional strength.

Architectural Specification

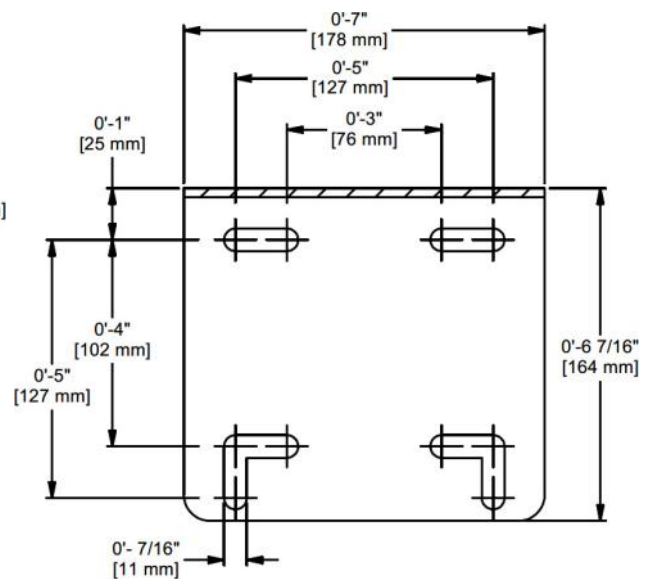
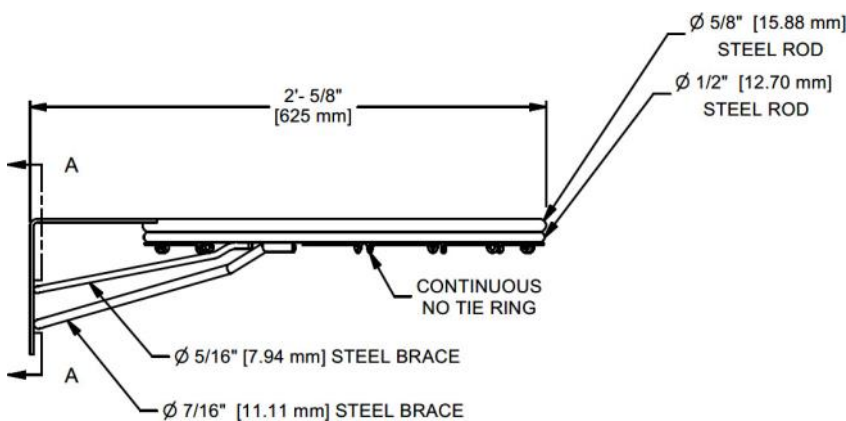
The goal shall be constructed with a solid high strength steel rod, with official sized 450mm ring and twelve continuous no-tie net attachments.

Segmented hooks will not be accepted.

The back plate shall be 5mm thick with 4 bolt connection to structure.

The wing brace shall be 11mm diameter solid steel all welded construction.

Goal shall have a durable orange powder coated finish and come complete with nylon net and hardware.



SECTION A-A
MOUNTING PLATE VIEW

System: Basketball
Product Code: BBG10
Related Products: [BBESR](#) [BBESW](#) [BBESO](#)



FIBA
EQUIPMENT
& VENUE



CONTACT US TODAY FOR ADDITIONAL INFORMATION

www.hitechsports.com.au
info@hitechsports.com.au
 PO Box 38 Wilston Qld 4051
 1300 500 314 07 3168 2978